

PROJECT:	
CATALOG #	
TYPE:	DATE:

BLUETOOTH PIR SENSOR WITH IR FOR OUTDOOR

DESCRIPTION

This sensor enables wireless control of fixtures, or groups of fixtures, through the LiteSmart mobile app.

This plug-in sensor is compatible with Litetronics Outdoor Area Lights / Outdoor Flood Lights / Outdoor Wall Packs.



APPLICATIONS

- Car dealership
- Schools, campuses
- Parking lots
- Transportation hubs
- Trucking Depots
- Event Centers
- Industrial yards and lots
- Warehouse/storage
- Building facades
- Loading dock and entry doors
- Safety & security lighting
- Storage rental facilities
- Multi-family, apartment complex
- Columns & porte cochere
- Covered walkways
- Entranceways
- Canopies
- Soffits

FEATURES

- Plug-In
- Daylight Harvesting
- Occupancy Sensing
- Bluetooth transmit 328 ft. Max
- Outdoor use
- Operating Temperature -22°F to 131°F (-30°C to 55°C)
- 5 year warranty

ORDERING INFORMATION

Listed below are the max load based mains voltage.

ORDERING CODE	DESCRIPTION	BASE	VOLTS
SC011	Plug-In Bluetooth PIR Sensor with IR for Outdoor	Plug-In	12V DC

CERTIFICATIONS



SPECIFICATIONS

Life (@L70): N/A
Warranty: 5 years

PERFORMANCE

Operating temp: -22°F to 131°F (-30°C to 55°C)
Storage temp: -22°F to 185°F (-30°C to 85°C)

ELECTRICAL

Input voltage: 12V DC
Input current: 50mA Max.
Input power: 0.6W
Output current: 10mA Max.
Sinking current: 10mA Max.
Output power: 0.1W
Dimming: Class 2, 0-10V DC 10mA Max.

PHYSICAL

Color: Black
Housing: UL 94-5VA Nylon

BLUETOOTH

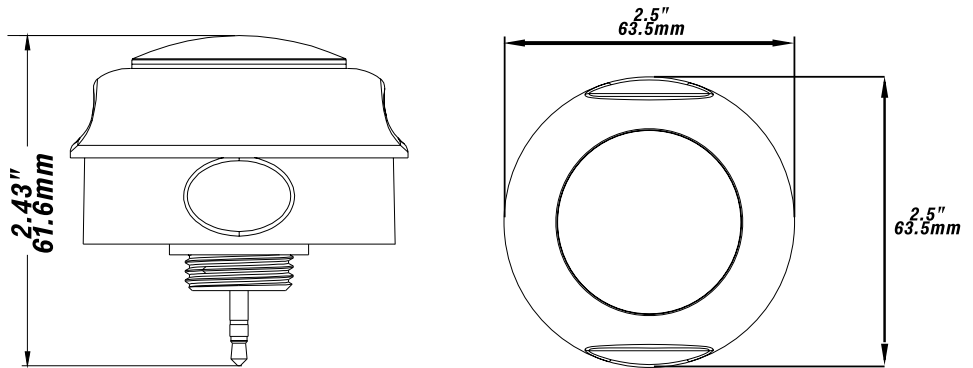
Bluetooth version: 5.0
Bluetooth transmit: 328 ft. Max.
Radio frequency: 2.4Ghz±75Mhz

INDUSTRY STANDARDS/RATINGS

IP: 66
Location: Wet
UL/ETL: UL
FCC: Yes
RoHS: Yes

DIMENSIONS

ORDER#	DIAMETER	HEIGHT
SC011	2.5"	2.43"



SC011 REFERENCE MATERIAL

INSTALL GUIDE



LITESMART APP



Set up and manage your space with LiteSmart.



LITESMART

LiteSmart is a mobile app that enables total management of lighting systems at the touch of your fingers.

DOWNLOAD NOW!

