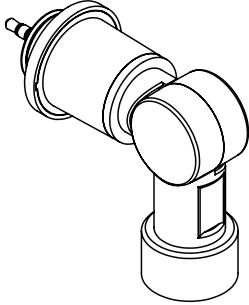


Elbow with 1 Pin for Pluggable Sensor (SCA010)

Installation Instructions



WHAT COMES IN THE BOX

Elbow
Installation Instructions

SAFETY INSTRUCTIONS AND WARNINGS

- When using electrical equipment, basic safety precautions should always be observed
- This product must be installed in accordance with the applicable installation code by a person familiar with the construction and operation of the product and the hazards involved
- Installation should only be conducted by a qualified electrician in accordance with NEC and any relevant local building codes.
- Be certain electrical power is OFF before and during installation and maintenance.
- To prevent wiring damage or abrasion, do not expose wiring to edges of sheet metal or sharp objects.

WIRING INSTRUCTIONS

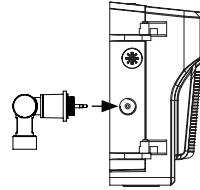
Installing the SC010 elbow onto flood lights, 2-in-1 traditional or full cutoff and slim wall packs is quick and simple.

1. Before installation, **always turn off the power supply from main circuit breaker first!**
2. Unscrew and remove the sensor port plug.
3. Plug elbow into port on corresponding fixture and gently screw in to socket.
4. Install compatible sensors:

- SC005
- SC006
- SC008

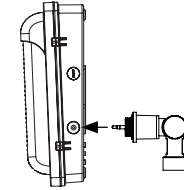
Refer to sensor installation instructions for further details.

5. Restore power.

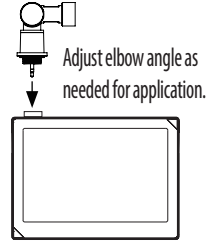


2-in-1 Traditional or Full Cutoff Wall Packs
WPC060, WPC100

ELBOW INSTALL EXAMPLES



Slim Wall Packs
WPT060, WPT120



LED Flood Light
FL1501

Thank you for choosing

LITETRONICS®

6969 W. 73rd Street
Bedford Park, IL 60638

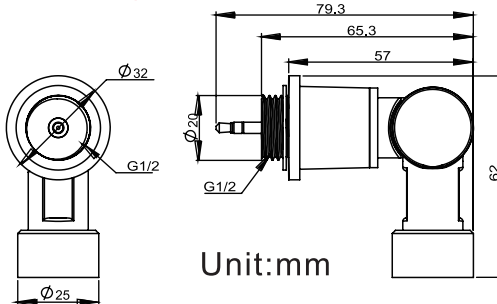
WWW.LITETRONICS.COM

CustomerService@Litetronics.com or 1-800-860-3392



The information and product specifications contained in these instructions are based upon data believed to be accurate at the time of printing. This information is subject to change without notice and without incurring liability. If you have questions regarding specific product details, please contact us at 800-860-3392 or via email at customerservice@litetronics.com. To check for an updated version of these instructions, please visit www.litetronics.com.

DIMENSIONS/SIZE



Unit:mm