

PROJECT:	
CATALOG #	
TYPE:	DATE:

# LED VOLUMETRIC RETROFIT

with Field-adjustable Light Output

## DESCRIPTION

Combining top-of-the-line efficiency with a stylish, modern design, the LED Volumetric Retrofit is an ideal solution for updating interior grid ceiling applications. It can accommodate all standard sizes of fluorescent troffers, including 2' x 4', 2' x 2' or 1' x 4', and its patented design makes installation simple and quick. The kit can be installed by one person in less than two minutes, without breaking into the ceiling plenum.

Our standard model is equipped with field-adjustable light output, enabling the lumen output and wattage to be set to one of five specific levels based on the needs of the user. This feature enables not only the customization of light output, but also puts a cap on the amount of energy being used.

The LED Volumetric Retrofit is listed as a DLC Premium product and delivers up to 125 lumens per watt (LPW) over the course of its 100,000-hour rated life. It ensures long-term energy savings over traditional fluorescent bulbs and ballasts, as well as eliminates routine maintenance, making it perfect for updating existing troffers. Furthermore, it's backed by an industry-leading 10-year warranty, guaranteeing peace of mind for the life of your fixture.



## FEATURES

- Field-adjustable light output
- 100,000-hour rated life
- 10-year warranty
- DLC 5.1 Premium (125 LPW)
- Suitable for damp locations
- 0-10V Dimming
- Compatible with Emergency Battery Backup

## MARKETS

- Schools and universities
- Offices and municipal buildings
- Healthcare facilities and hospitals

## APPLICATIONS

- Drop/grid ceilings
- Fluorescent troffers

## CERTIFICATIONS



## SPECIFICATIONS

**Life (@L70):** 100,000 hours (@L70)

**Warranty:** 10 years

## PERFORMANCE

**Operating temp:** -4°F to 113°F (-20°C to 45°C)

**Efficacy (LPW):** 125 LPW

**CRI:** 80

## ELECTRICAL

**Input voltage:** 120-277V

**Input frequency:** 50/60Hz

**PF:** ≥.95

**THD:** ≤ 20%

**Surge protection:** N/A

**Dimming:** 0-10VDC ANSI C137.x compliant

**Minimum dimming:** 0% of rated lumen LED drive current

**Aux. Voltage:** N/A

**Whip/Cord:** None

**Sensor:** N/A

## INDUSTRY STANDARDS/RATINGS

**Location:** Damp

**IC:** N/A

**UL/ETL:** ETL

**RoHS:** Yes

**DLC:** 5.1 Premium

## MOUNTING

**Standard:** T-bar grid (drop ceilings) mounted fluorescent troffers

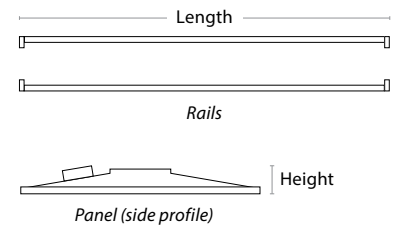
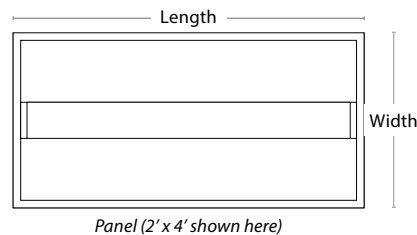
**Wiring access:** 1/2" trade size knockouts

## ACCESSORIES

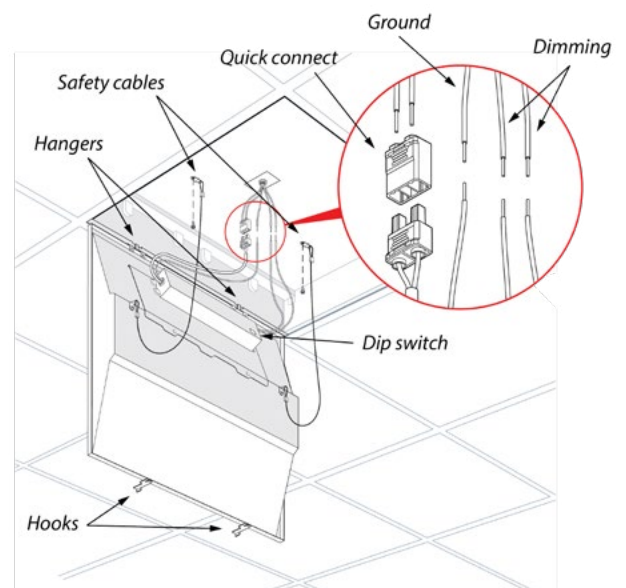
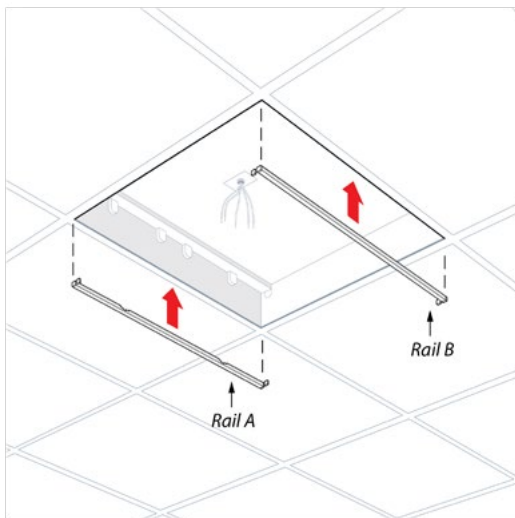
### Emergency Battery Backup

## DIMENSIONS / WEIGHT

SIZE	LENGTH	WIDTH	HEIGHT	RAIL LENGTH
2' x 4'	45"	21"	2.875"	47"
2' x 2'	21"	21"	2.875"	23"
1' x 4'	45"	10.5"	2.875"	47"



## PRODUCT OVERVIEW AND INSTALLATION



The mounting rails are inserted between the troffer and grid rail on opposite sides with the anti-rotational tabs pointed inward and notches facing up.

The panel hangers are inserted into the notches on the mounting rail, enabling the panel to hang freely while electrical connections are completed.

## ORDERING INFORMATION

ORDERING CODE	DESCRIPTION	SIZE	WATTS	VOLTS	CCT (K)	LUMENS
VRT4	LED Light Panel Retrofit	2' x 4'	25   30   40   45   50	120-277V	3500   4000   5000	3,125   3,750   5,000   5,625   6,250
VRT2	LED Light Panel Retrofit	2' x 2'	18   20   25   30   36	120-277V	3500   4000   5000	2,250   2,500   3,125   3,750   4,500
VRT1	LED Light Panel Retrofit	1' x 4'	18   20   25   30   36	120-277V	3500   4000   5000	2,250   2,500   3,125   3,750   4,500

EB10



EBCM



EBAM



## ACCESSORIES

MODEL #	DESCRIPTION	USAGE
EB10	10W Emergency Battery Backup	Supplies battery backup to an individual fixture for up to 90 minutes. <u>Must be ordered with EBCM or EBAM indicator module.</u>
EBCM	Ceiling-Mounted Indicator Module	This Ceiling-Mounted Indicator Module (EBCM) can be used with one of Litetronics' emergency battery backup products (EB10, EB10N or EB20) to provide a visual confirmation of the operational status of the EBB unit. This module is typically used in grid ceiling applications where it is recess mounted in a panel adjacent to the fixture.
EBAM	Adhesive-mounted Indicator Module	This Adhesive-Mounted Indicator Module (EBAM) must be used with one of Litetronics' emergency battery backup products (EB10, EB10N or EB20) to provide a visual confirmation of the operational status of the EBB unit. This module is typically used in open ceiling or drywall ceiling applications where the module is applied to the side of the fixture, mounting kit, or a nearby structural element.